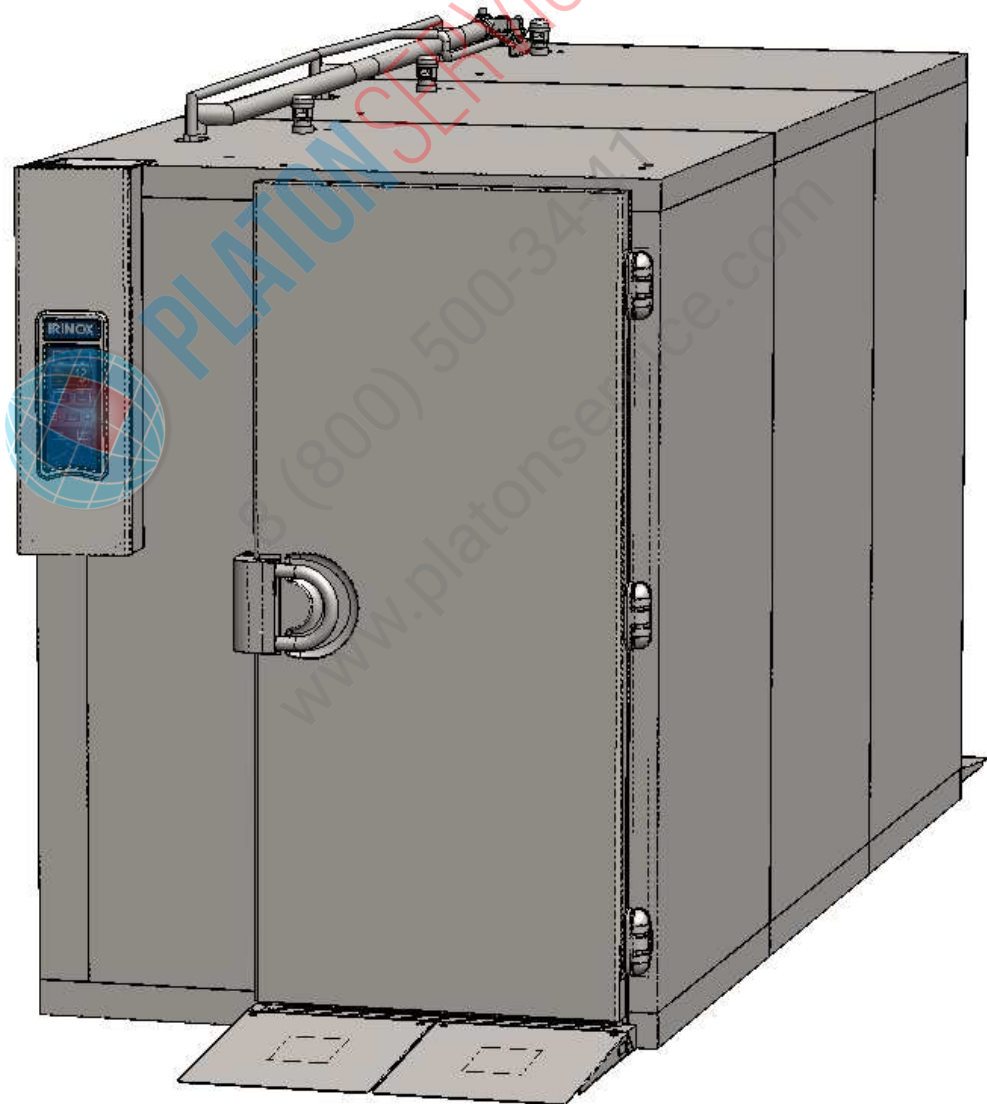
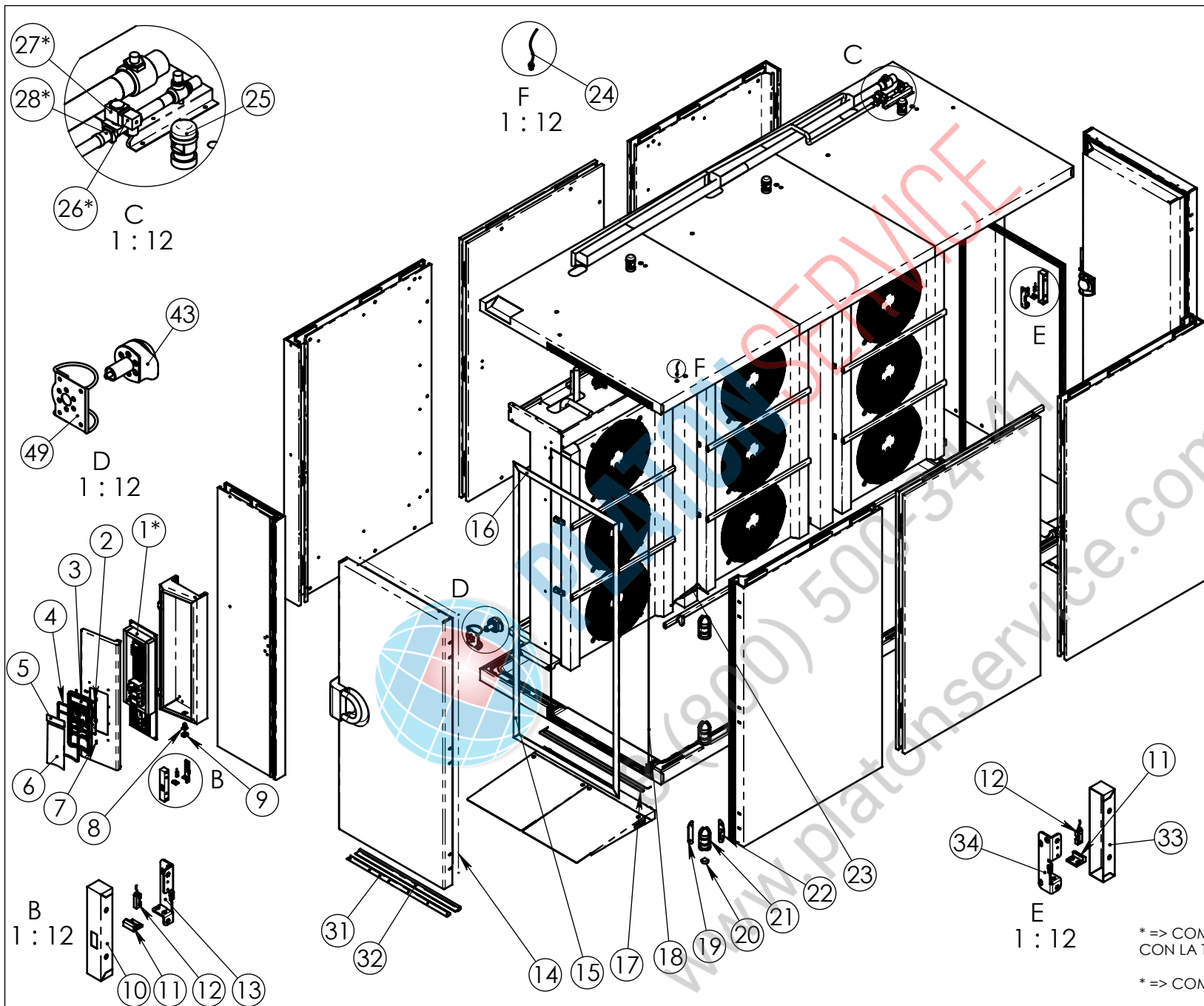




MF500.2 3T

- DISEGNI ESPLOSI e LISTA RICAMBI
- EXPLODED VIEWS and SPARE PARTS LIST
- DIBUJOS DE DESPIEZOS Y LISTADO REPUESTOS
- EXPLOSIONSZEI CHNUNGEN AND ERSATZTEILELISTE





POS.	CODICE	Q.TA'
1*	41M60210200	1
2	3600810	1
3	1890600	1
4	68140810	1
5	4380100020	1
6	4380100010	1
7	3240250	9
8	3563270	1
9	3563275	1
10	68203951	1
11	67206335	2
12	3240100	2
13	67206311	1
14	1011320	2
15	4805280	4
16	4805270	4
17	2341611	2
18	2341602	2
19	1890360	12
20	1890340	6
21	1890310	6
22	68203990	4
23	3805510	1
24	3805540	1
25	21000015	3
26*	23425050	1
27*	2340060	1
28*	2341018	1
29	67209320	2
30	1890210	2
31	66207490	2
32	1010620	2 x 0,92
33	68203956	1
34	67206316	1

* => COMPONENTI CHE VARIANO CON LA TENSIONE DI ALIMENTAZIONE (VEDI TABELLA)

* => COMPONENTS DEPENDING ON POWER SUPPLY (SEE TABLE)

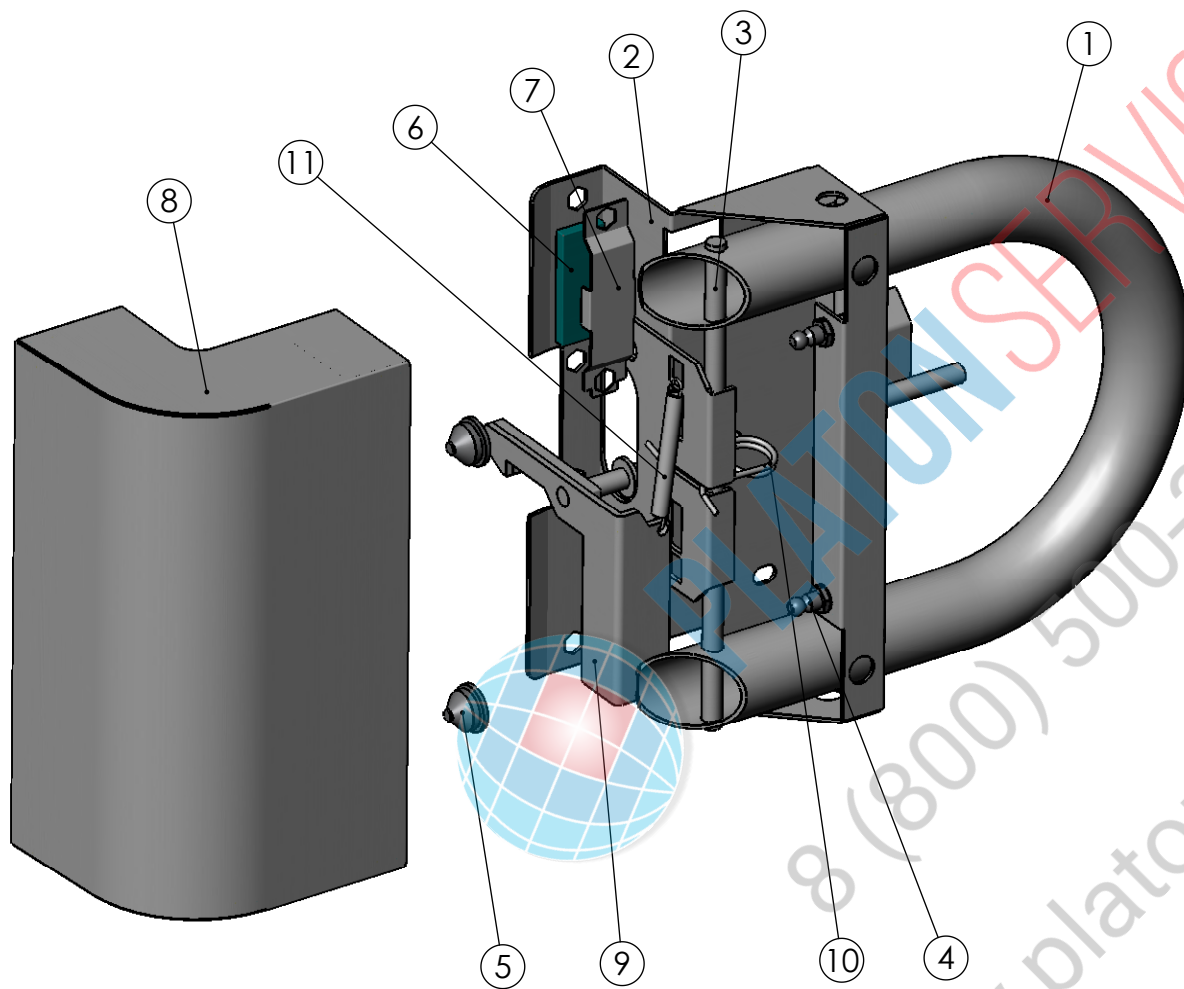
E			
D			
C			
B			
A			
REV.	DESCRIZIONE MODIFICA	AUTORE	DATA

SCALA: 1:35

MODELLO: **MF500.2 3T**

DESCRIZIONE: **Abbatitore MF500.2 3T**

CODICE:



POS.	CODICE	Q.TA'
1	40079080	1
2	68204020	1
3	68203980	2
4	40072050	2
5	40072060	2
6	3240220	1
7	68204100	1
8	68203970	1
9	68204060	1
10	40071200	1
11	40071260	1

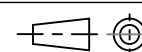
REV.	DESCRIZIONE MODIFICA	AUTORE	DATA
E			
D			
C			
B			
A			

IRINOX

SCALA: 1:3

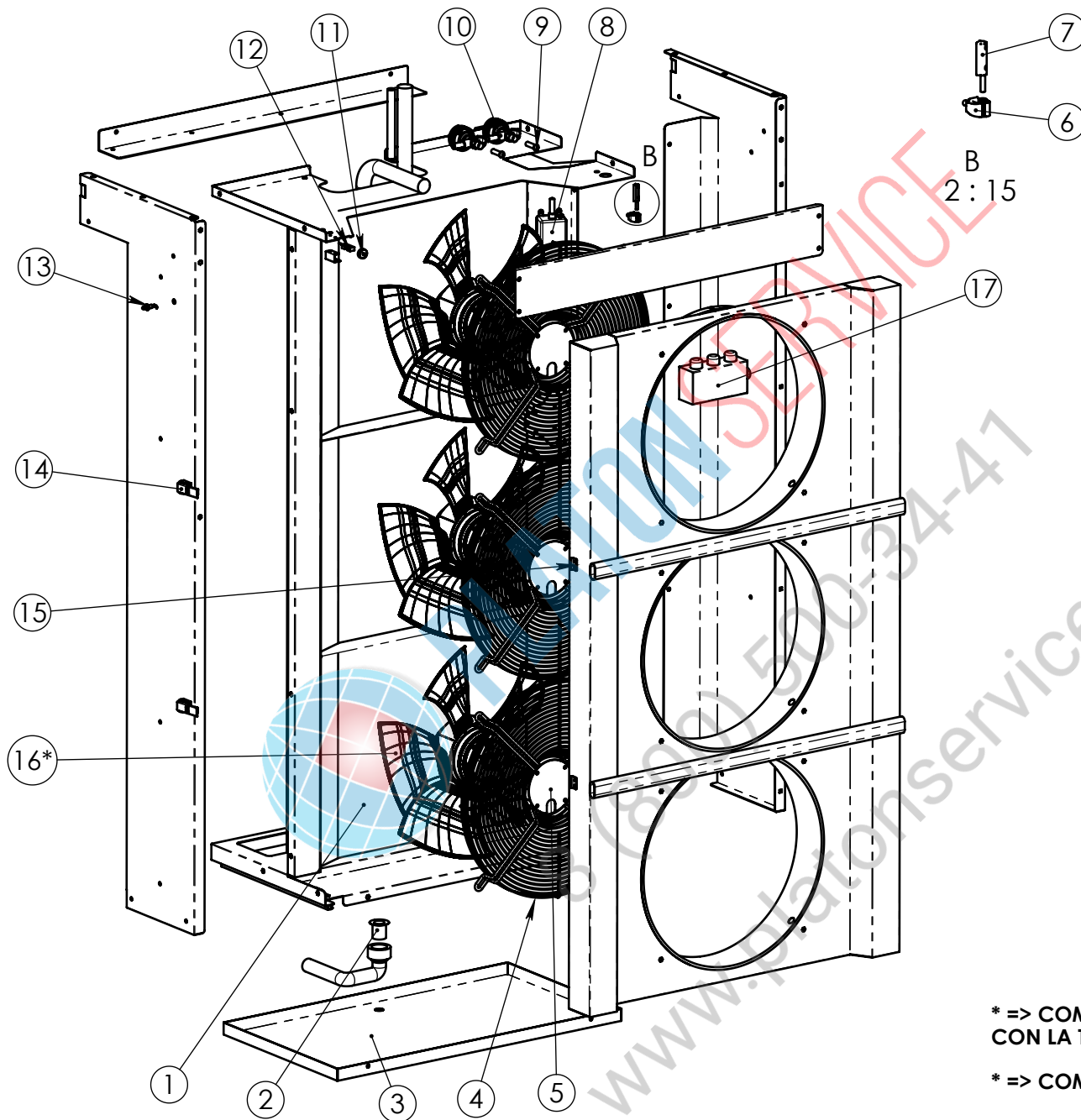
MODELLO: **COMUNE**

CODICE:



DESCRIZIONE:

ASSIEME MANIGLIA PORTA MF



POS.	CODICE	Q.TA'
1	40207100	1
2	11000150	1
3	68210820	1
4	2783500	3
5	68210550	3
6	1890242	4
7	1890244	4
8	3880400	1
9	2361005	2
10	23605051	2
11	3240200	1
12	3240100	1
13	3805140	1
14	1890175	2
15	1890170	2
16*	270345000	3
17	41M00000000	1

* => COMPONENTI CHE VARIANO
CON LA TENSIONE DI ALIMENTAZIONE (VEDI TABELLA)

* => COMPONENTS DEPENDING ON POWER SUPPLY (SEE TABLE)

REV.	DESCRIZIONE MODIFICA	AUTORE	DATA
E			
D			
C			
B			
A			

IRINOX

SCALA: 1:15

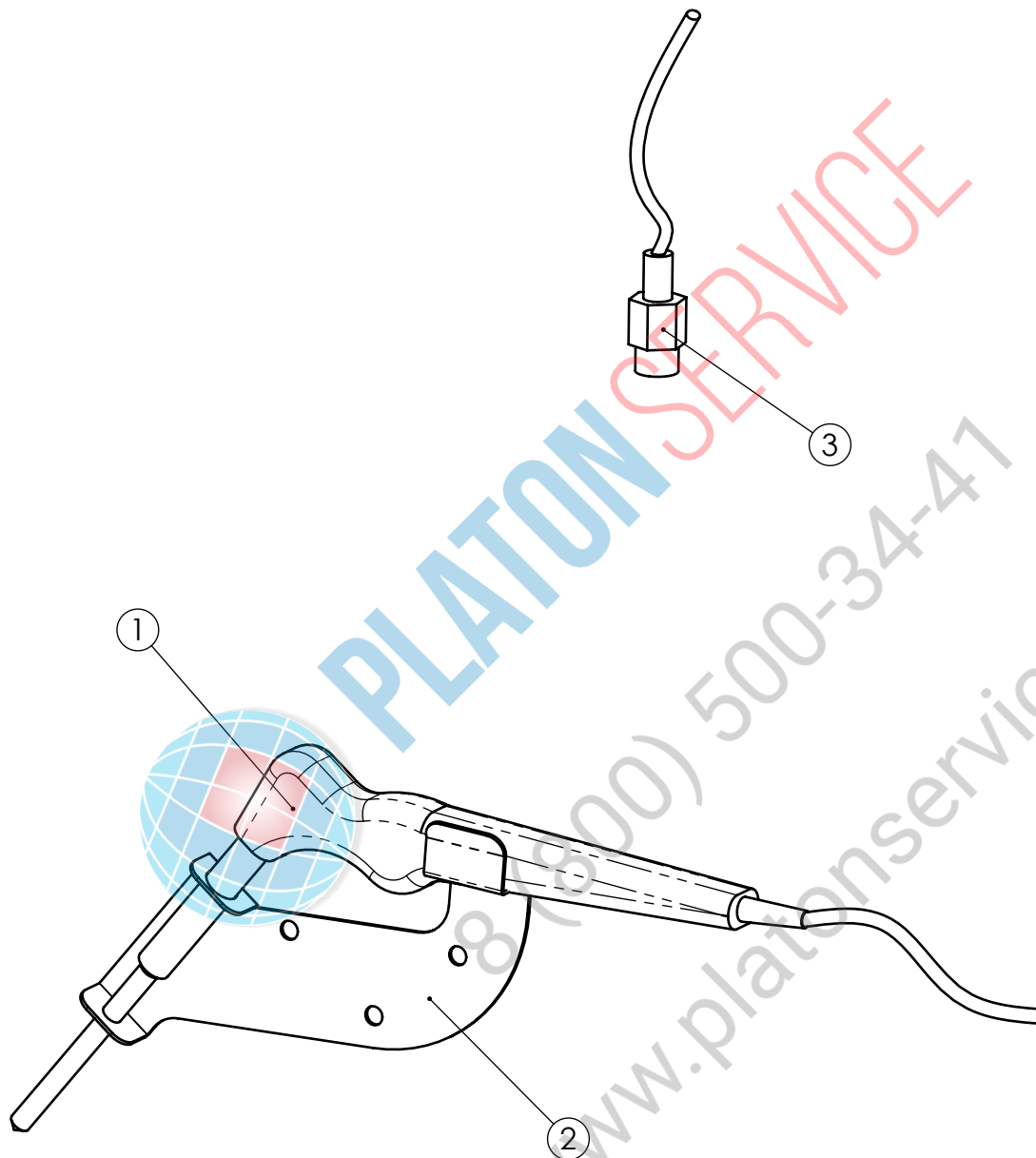
MODELLO: **MF180.2**

CODICE:

DESCRIZIONE:

GRUPPO EVAPORATORE MF180.2

POS.	CODICE	Q.TA'
1	3805530	1
2	67206405	1
3	3805020	1



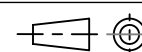
REV.	DESCRIZIONE MODIFICA	AUTORE	DATA
E			
D			
C			
B			
A			

IRINEX[®]

SCALA: 1:2

MODELLO:

CODICE: **8M12011900**

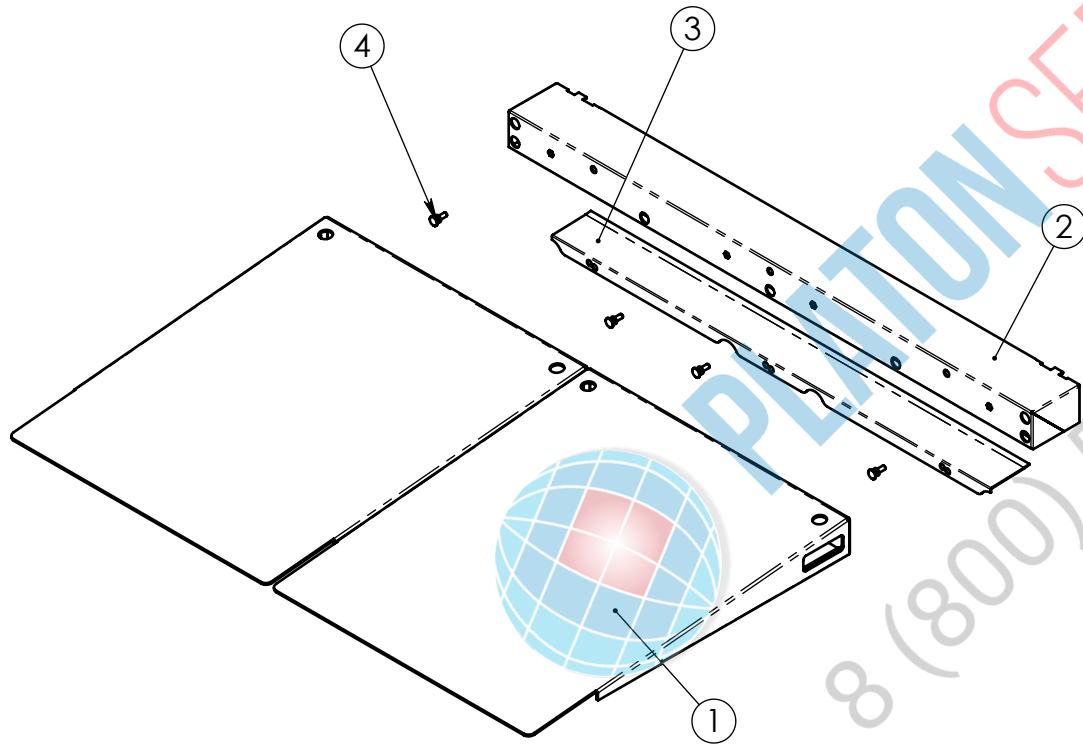


DESCRIZIONE:

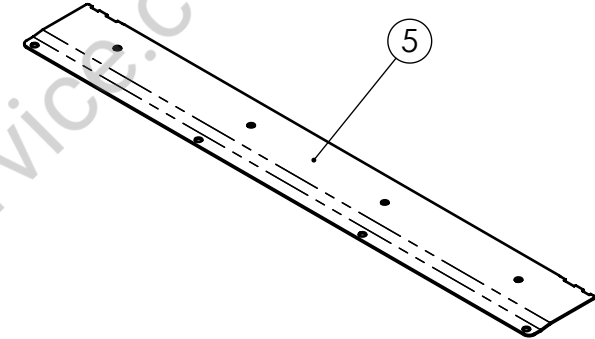
OPZ. Sonda cuore agg.1P. MF1T-2T-3T

POS.	CODICE	Q.TA'
1	68208101	2
2	68208091	1
3	68208161	1
4	40051150.01	4

POS.	CODICE	Q.TA'
5	68208301	1



ASSIEME RAMPA PORTA 820
RAMP DOOR ASSEMBLY 820



ASSIEME SOGLIA PORTA 820
SILL DOOR ASSEMBLY 820

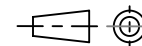
REV.	DESCRIZIONE MODIFICA	AUTORE	DATA
E			
D			
C			
B			
A			

IRINEX

SCALA: 1:10

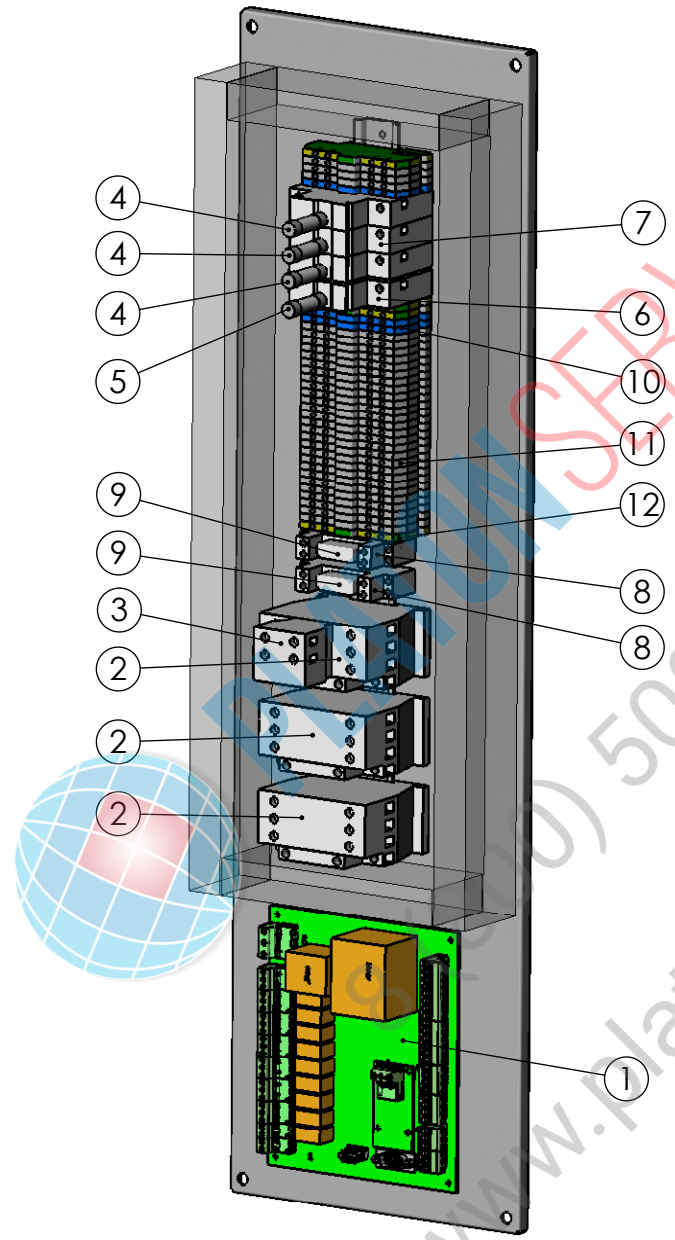
MODELLO:

CODICE:



DESCRIZIONE:

RAMPA E SOGLIA LP 820



POS.	CODICE	Q.TA'
1	3600800	1
2	3312041	3
3	3252030	1
4	3440045	3
5	3440092	1
6	3440140	1
7	3440144	1
8	3320340	2
9	3320376	2
10	3525037	4
11	3525035	30
12	3525038	4

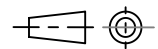
REV.	DESCRIZIONE MODIFICA	AUTORE	DATA
E			
D			
C			
B			
A			



SCALA: 1:5

MODELLO:

CODICE: **41M60210200**



DESCRIZIONE: **QUADRO MF750.2 3T 400-3N-50/60**

MODELLO	COMPONENTE	GAMMA TENSIONI VOLTAGE RANGE					
MODEL	COMPONENT	400V-3P+N-50Hz	400V-3P+N-60Hz	230V-3P-50Hz	230V-3P-60Hz	200V-3P-50/60Hz	208V-3P-60Hz
MF500.2 3T; MFC500.2 3T	Ventilatore evaporatore Evaporator fan	270345000	270345000	270345001	270345001	270345001	270345001
	Elettrovalvola Solenoid valve	2340060	2340060	2340060	2340060	2340060	2340160
	Bobina Coil	2341018	2341018	2341018	2341018	2341018	2341021
	Connettore bobina Coil connector	23425050	23425050	23425050	23425050	23425050	23425070
	Quadro elettrico Junction panel	41M60210200	41M60210200	41M60211100	41M60211100	41M60210600	41M60210800



PLATON SERVICE
8 (800) 500-34-41
www.platonservice.com

COD.	ITALIANO	ENGLISH	ESPANOL	DEUTSCH
1010620	GUARNIZIONE SOTTOPORTA ARROWELD	UNDER DOOR GASKET	GUARNICIÒN PUERTA ARROWELD	UNTER TÜR DICHTUNG
1011320	GUARN.PORTA INC. 820 MF130.2	DOOR GASKET	GUARNICIÒN PUERTA	TÜRDICHTUNG
1890170	CHIUSURA VANTAGE-DOWNU 91-522-52	EVAPORATOR DOOR FASTENING	CIERRE VANTAGE-DOWNU	VERDAMPFERTÜR BEFESTIGUNG
1890175	AGGANCIO X CHIUSURA K4- 2338-52	FASTENING PEG	ENGANCHE CIERRE	SCHLUSSBEFESTIGUNG
1890210	SET PULSANTE X CHIUS. CH920ST/921ST	OPENING DOOR BUTTON SET	BOTÒN CIERRE	TÜROFFNUNG KNOPF
1890242	SEMICERNIERA FISSA	FIXED HINGE	SEMI CHARNELA FIJA	FESTE TÜRSCHARNIER
1890244	SEMICERNIERA MOBILE	MOVING HINGE	SEMI CHARNELA MÒVIL	BEWEGEND TÜRSCHARNIER
1890310	CERNIERA FUTURO CR DX	DOOR HINGE	CHARNELA PUERTA	TÜRSCHARNIER
1890340	COPPIA COPERCHI CERN.FUTURO	PAIR OF HINGE COVERS	PAREJA COBERTERAS PARA LA CHARNELA	TÜRSCHARNIER ABDECKUNGEN
1890360	BASE H.5 CERN.FUTURO BLU	HINGE BASE PLATE H.5	BASE DE LA CHARNELA	TÜRSCHARNIER SOCKEL
1890600	CRUSCOTTO PLAST.MULTIFRESH 420X180	MULTIFRESH DASHBOARD	PANEL MULTIFRESH	MULTIFRESH SHALTTAFEL
2340060	ELETTROV. EVR 15 7/8 SALD.32F1225	ELECTRO VALVE	ELECTROVÀLVULA	MAGNETVENTIL
2341018	BOBINA ELETTROVALVOLA 220V- 50/60HZ	ELECTRO VALVE COIL	BOBINA DE LA ELECTROVÀLVULA	MAGNETVENTIL SPULE
2341602	RESIST. PORTA MF130.2 --> 87W 230V	DOOR RESISTANCE	RESISTENCIA PUERTA	TÜR WIDERSTAND
2341611	RESIST. SOGLIA MF130/180/ 33W 230V	SILL RESISTANCE	RESISTENCIA UMBRAL	SCHWELLE WIDERSTAND
2361005	ORIFICIO N. 05 T/TE 2 68-2031	ORIFICIE	ORIFICIO	MÜNDUNG
2783500	GRIGLIA SUPPORTO VENTILATORE D.500	FAN SUPPORT GRID	REJILLA SUPORTE VENTILADOR	VENTILATOR HALTERUNG GITTER
3240100	CONT.MAGN. E510 UE 1BT410H UL 4,1MT	MAGNET CONTACT	CONTACTO MAGNÉTICO	MAGNETKONTAKT
3240200	MAGNETE M610 SIGILLATO NEODIMIO	NEODYMIUM MAGNET	MAGNETO NEODIMI	NEODYM MAGNET
3240220	MAGNETE NEODIMIO 50X20X5	NEODYMIUM MAGNET 50X20X5	MAGNETO NEODIMI	NEODYM MAGNET 50X20X5
3240250	MAGNETE NEODIMIO 20 X 5 X 5	NEODYMIUM MAGNET 20X5X5	MAGNETO NEODIMI	NEODYM MAGNET 20X5X5
3252030	CONT.AUX.LAT. NO-NC DILM32- XHI1	AUXILIARY CONTACTS	CONTACTOS AUXILIARES	AUXILIARKONTAKTE
3312041	TELER.MOELLER DILM25-01 277164 230V	CONTACTORS	TELERRUPTOR	SCHÜTZE
3320340	ZOCCOLO A MORS. SCHRACK ES 50	RELAY HOLDER	PORTA RELE'	RELAIS HALTERUNG
3320376	RELE' 230 VAC RM 84-2012-25- 5230	RELAY 230 VAC	RELE'	RELAIS 230 VAC
3440045	FUSIBILE 10,3 X 38 20A TIPO AM	FUSE 10,3 X 38 20A	FUSIBLE 10,3 X 38 20A	SICHERUNG 10,3X38 20A

3440092	FUSIBILE 10,3 X 38 2A TIPO GG	FUSE 10,3 X 38 2A	FUSIBLE 10,3 X 38 2A	SICHERUNG 10,3X38 2A
3440140	PORTAFUSIBILE 10.3X38 BCH1X38	FUSE HOLDER 10.3X38	PORTA FUSIBLE	SICHERUNG HALTERUNG 10,3 X 38
3440144	PORTAFUSIBILE 10.3X38 BCH4X38	FUSE HOLDER 10.3X38	PORTA FUSIBLE	SICHERUNG HALTERUNG 10,3 X 38
3525035	MORSETTO PHOENIX ST2,5 QUATTRO	TERMINAL BLOCK GREY	ABRAZADERA	GRAUE KLEMMLEISTE
3525037	MORSETTO PHOENIX ST2,5 QUATTRO BLU	TERMINAL BLOCK BLUE	ABRAZADERA	BLAUE KLEMMLEISTE
3525038	MORSETTO PHOENIX ST2,5 QUATTRO GV	TERMINAL BLOCK GREEN/YELLOW	ABRAZADERA	GRÜN/GELB KLEMMLEISTE
3563270	CONN.USB DA PANN.F/F A/B "NTNAUSB"	USB PANEL CONNECTOR	CONECTOR	USB TAFEL STECKER
3563275	TAPPO PLASTICA CONN.USB "NTCHSCDX"	STOPPER FOR USB CONNECTOR	TAPÓN EN PLÁSTICA	PLASTIK STOPFEN FÜR USB TAFEL
3600800	SCHEDE GESTIONE MULTI FRESH	MAIN ELECTRONIC BOARD	PLACA ELECTRONICA	HAUPTPLATINE
3600810	SCHEDE FRONTALE MULTI FRESH	FRONTAL ELECTRONIC BOARD	PLACA FRONTAL	FRONTALPLATINE
3805020	PROLUNGA L=3MT X SPILLONE	EXTENSION CABLE L=3MT FOR CORE PROBE	EXTENSIÓN SONDA CORAZÓN	VERLÄNGERUNG L=3M FÜR KERNTEMPORATURFÜHLER
3805140	SONDA ARIA PT1000 L=3300MM C/SCHERM	AIR PROBE PT1000 L=3300MM WITH SHIELD	SONDA AIRE	LUFTFÜHLER PT1000 L=3300MM MIT SCHILD
3805510	SONDA CUORE PT1000 CONICA 5P C/C	CORE PROBE PT1000 5P	SONDA CORAZÓN	KERNTEMPORATURFÜHLER PT1000 5P
3805530	SONDA CUORE PT1000 CONICA C/C	CORE PROBE PT1000 1P	SONDA CORAZÓN	KERNTEMPORATURFÜHLER PT1000 1P
3805540	PROL.L=3MT X SONDA CUORE CONICA 5P	EXTENSION CABLE L=3MT FOR CORE PROBE 5P	EXTENSIÓN SONDA CORAZÓN	KABELVERLÄNGERUNG L=3M FÜR KERNTEMPORATURFÜHLER
3880400	SANIFICATORE IRINOX BXMIRIX230V	SANIFICATION SYSTEM	ESTERILIZANTE	SANIFIKATIONSSYSTEM
4805270	COPERCHIO CORNICE ORIZ.LP 820 45-45	HORIZONTAL COVER FOR CELL FRAME	COBERTERA MARCO	HORIZONTAL ZELLENRAHME ABDECKUNG
4805280	COPERCHIO CORNICE VERT. H=1980	VERTICAL COVER FOR CELL FRAME	COBERTERA MARCO	VERTIKAL ZELLENRAHME ABDECKUNG
11000150	PILETTA SCARICO+GHIERA D.32 10131/1	DRAIN D.32	CAÑO DESAGUE	ABFLUSS
21000015	VALV. AERATORE C/MENBR.D.40 HL904	AERATOR VALVE D.40	VALVÚLA AERADOR	LÜFTERVENTIL
23425050	CONNET.X PRESS./EL. E153N20021 MPM	ELECTRO VALVE CONNECTOR	CONECTOR ELECTROVALVÚLA	MAGNETVENTIL STECKER

23605051	VALV.TERM.DANF.TES 2 NM MOP 68Z3407	THERMOSTATIC VALVE	VALVÚLA TERM.	EXPANSIONSVENTIL
40051150,01	PIOLINO AGGANCIO RAMPA	COUPLING RAMP PIN	CLAVIJA GANCHO RAMPA	ZAPFEN FÜR RAMPENANKOPPLUNG
40071200	MOLLA RITORNO MANIGLIA	SPRING FOR HANDLE RETURN	MUELLE MANIJA	FEDER FÜR GRIFF
40071260	MOLLA TRAZ. RITORNO NASELLO	SPRING FOR DOOR FASTENING	MUELLE GANCHO PUERTA	FEDER FÜR TÜRBEFESTIGUNG
40072050	SNAP LOOK X SP. 8/10 MASCHIO M6	SNAP LOOK MALE	SNAP LOOK	SNAP LOOK MALE
40072060	SNAP LOOK X SP. 8/10 FEMMINA	SNAP LOOK FEMALE	SNAP LOOK	SNAP LOOK WEIBLICH
40079080	MANIGLIA CURVA D.33.7 ABBATTITORI	HANDLE D.33.7	MANIJA	TÜRGRIFF
40207100	EVAPORATORE COMPLETO MF180.2	EVAPORATOR	EVAPORADOR	VERDAMPFER
66207490	TRAVERSA FIX GUARN.SOTTOPORTA L820	UNDER DOOR GASKET SUPPORT	SUPORE GUARNICIÒN PUERTA	UNTERTÜR DICHTUNG HALTERUNG
67206311	STAFFA AGG.NASELLO MF DX PORTE 75	DOOR FASTENING BRACKET	ESTRIBO GANCHO PUERTA	TÜRBEFESTIGUNG HALTER
67206316	STAFFA AGG.NASELLO MF SX PORTE 75	DOOR FASTENING BRACKET	ESTRIBO GANCHO PUERTA	TÜRBEFESTIGUNG HALTER
67206335	AGGANCIO NASELLO AISI 304 SERIE LC	DOOR FASTENING TOOTH	GANCHO	TÜBEFESTIGUNG VERSCHLUSS
67206405	SUPPORTO SONDA CUORE CELLE OPP.	CORE PROBE BRACKET	SUPORE SONDA CORAZÒN	KERTEMPERATURFÜHLER HALTERUNG
67209320	ASS. PROTEZIONE FUNGO	OPENING DOOR BUTTON PROTECTION	CONJUNTO PROTECCIÓN BOTÓN PUERTA	TÜROFFNUNG SCHUTZ
68140810	PIASTR.COPERT.CRUSCOTTO MF70.1	DASHBOARD COVER PLATE	COBERTERA DEL PANEL FRONTAL	SCHALTAFEL ABDECKBLENDE
68203951	COPERTURA AGG.NASEL.PORTE MF DX H75	DOOR FASTENING COVER	COBERTERA GANCHO PUERTA	TÜRBEFESTIGUNG ABDECKUNG
68203956	COPERTURA AGG.NASEL.PORTE MF SX H75	DOOR FASTENING COVER	COBERTERA GANCHO PUERTA	TÜRBEFESTIGUNG ABDECKUNG
68203970	COPERTURA MANIGLIA	HANDLE COVER	COBERTERA MANIJA	TÜRGRIFF ABDECKUNG
68203980	PERNO PER MANIGLIA	HANDLE PIVOT	GORRÓN DE LA MANIJA	TÜRGRIFF DREHZAPFEN
68203990	ASSIEME FERMO A 120° PER CERN.	HINGE LATCH DOOR 120°	CONJUNTO BLOQUEO A 120° DE LA CHARNELA	TÜRSCHARNIER VERRIEGELUNG 120°
68204020	ASSIEME SUPPORTO MANIGLIA COMUNE	HANDLE SUPPORT SET	CONJUNTO SUPORE MANIJA	TÜRGRIFF HALTERUNG
68204060	ASSIEME LEVERISMO DX	HANDLE MOVEMENT SET	CONJUNTO BARRA A LA DERECHA	TÜRGRIFF BEWEGUNG SET
68204100	STAFFA FISSAGGIO MAGNETE PORTA	DOOR MAGNET FIXING BRACKET	ESTRIBO AJUSTE MAGNETO PUERTA	TÜRMAGNET HALTERUNG
68208091	ASSIEME AGGANCIO RAMPA 820	COUPLING RAMP	CONJUNTO ENGANCHE RAMPA	RAMPENANKOPPLUNG
68208101	ASSIEME RAMPA LP 820	RAMP	CONJUNTO RAMPA	RAMPE

68208161	SUPP. RESISTENZA L= 820 MF130.2	RESISTANCE SUPPORT	SUPOORTE RESISTENCIA	WIDERSTAND HALTERUNG
68208301	ASSIEME SOGLIA LP 820	SILL	CONJUNTO UMBRAL	SCHWELLE
68210550	FONDELLO PER VENTILATORE D. 500	FAN MOTOR COVER	FONDILLO PARA EL VENTILADOR	VENTILATOR ABDECKUNG
68210820	BACINELLA	EVAPORATOR BASIN	BARREÑO EVAPORADOR	VERDAMPER SCHALE
270345000	VENT.PREM. A4D500-AM03-07 400V-50HZ	EVAPORATOR FAN	VENTILADOR	VERDAMPFER VENTILATOR
4380100010	SERIGRAFIA FRONT.SCHEDA MULTI FRESH	MULTI FRESH DASHBOARD ADHESIVE PANEL	SERIGRAFÍA FRONTAL PLACA ELECTRONICA	FOLIE FÜR MULTIFRESH FRONTALE PLATINE
4380100020	SERIGRAFIA LOGO IRINOX MULTI FRESH	MULTI FRESH IRINOX LOGO ADHESIVE PANEL	SERIGRAFÍA LOGO IRINOX	FOLIE MULTIFRESH IRINOX LOGO
41M00000000	QUADRO DERIV. UL EVAP. MF 1T-2T-3T	DERIVATION ELECTRICAL PANEL MF 1T-2T-3T	CUADRO DERIVACIÓN EVAPORADOR	ELEKTROSCHALTERBRETT VERDAMPFER MF 1T-2T-3T
41M60210200	QUADRO MF750.2 3T 400-3N-50/60	ELECTRICAL PANEL	CUADRO	ELEKTROSCHALTERBRETT



PLATON SERVICE
8 (800) 500-34-41
www.platonservice.com